



Reggiani NEXT Plus
Digital Printer for
Sublimation Printing

Add a **plus** to your
printing business



Ensure endless possibilities and expand your business

EFI™ Reggiani NEXT Plus industrial, beltless digital printer prints on paper for transfer and non-elastic fabrics and with up to 8 colours for enhanced design possibilities, expanded colour gamut and the most brilliant shades. The NEXT Plus printer is excellent for both small businesses and complex industrial plants thanks to its high reliability and strong mechanical structure for 24/7 operation. Thanks to the high resolution 600 dpi print heads and the new high uniformity printing modes, NEXT Plus delivers incredible printing quality and smooth transitions. The new, advanced media control in the print zone and the mini jumbo roll ensure master speed and tension for the most accurate substrate handling.

At a glance:

- Truly industrial, robust printer with high-speed performance
- All-in-one solution: Ink system, colour feeding, electrical cabinet and drying unit
- Enhanced design possibilities and expanded colour gamut with up to 8 colours
- Improved paper handling with high ink laydowns
- More ink laydown at the same speed – ideal for sportswear and high-density applications
- Improved printing quality thanks to new high-uniformity printing modes
- High reliability and minimum downtime
- Enhanced proprietary software
- Easy integration with online shops and web2print businesses

APPLICATIONS	
Fashion	✓
Home textile	✓
Automotive	✓
Outdoor	✓
Sportswear	✓
INKS	
Disperse sublimation	✓
SUBSTRATES	
Paper	✓
Non-elastic fabric	✓

Print heads and ink system

NEW

- Up to 8 colours
- Eight print heads, 600 dpi with full variable drop size
- Printing resolution up to 600 x 4800 dpi
- Possible to reduce number of passes on high density applications
- Ink management: Level sensors and continuous in-line degassing and filtering
- Integrated 12 litre ink tanks with easy access
- Ink refill on the fly – no need to stop the printer

Printing carriage

NEW

- Simplified print carriage with a single flexible cable per print head
- Steel bridge with linear motor and magnetic encoder
- Carriage running on steel linear guides
- More compact, state-of-the-art Siemens PLC
- Print head crash protective system

Substrate handling

NEW

NEW

- Mini jumbo roll unwinder and rewinder up to Ø 450 mm
- Accurate substrate feed and media control in the print zone
- Automatic fabric width sensor
- Vacuum plate
- High efficiency, high uniformity, electrically heated plate

Electronics and software

NEW

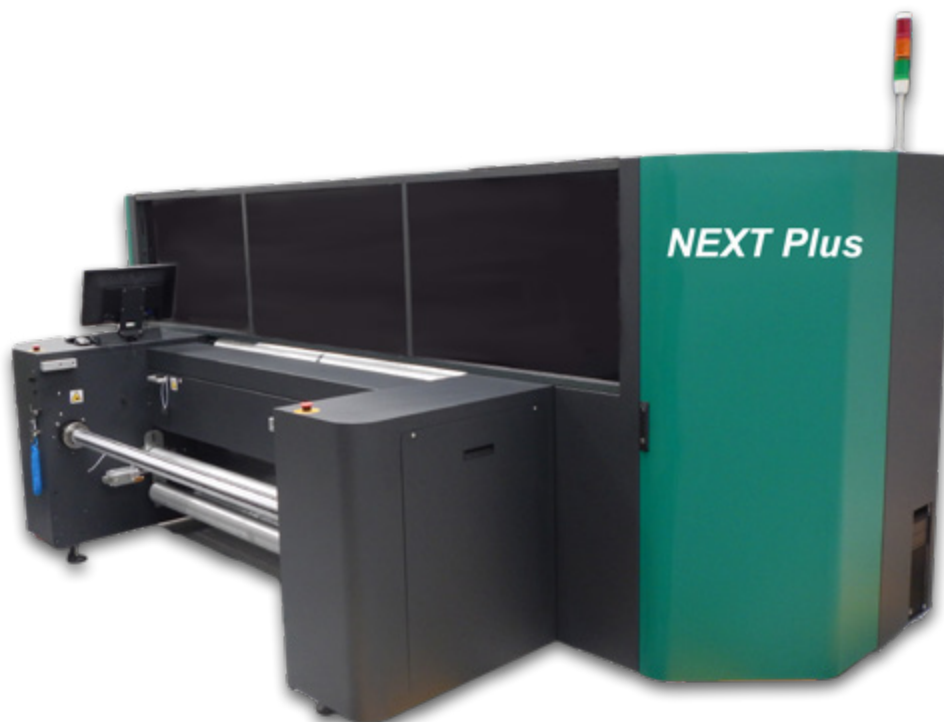
NEW

NEW

NEW

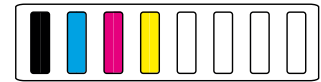
NEW

- User friendly, intuitive interface
- Real-time image processing – no time lost for image pre-calculation
- High uniformity printing modes
- Advanced queue management
- Job editor – what you see is what you get at each and every moment
- Printing speed and ink usage prediction
- Easier and more accurate print head alignment
- Automatic and unattended workflow
- Easy integration with online shops and web2print business models
- Possible to monitor and export all printing and printer data to an external DB or ERP
- Suitable for integration in Industry 4.0 projects

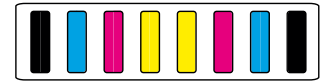


SPECIFICATIONS	
Printing width	180-340 cm
Production speed	Up to 210 lm/h
Print heads	8
Printing resolution	Up to 600 x 4800 dpi
Paper weight	38 to 150 gr/sqm
Substrate feed (Entry) and take-up (Exit)	Mini jumbo roll up to \varnothing 450 mm
Dryer	Electrically heated plate

C M Y K
4 COLOURS
4 HEADS



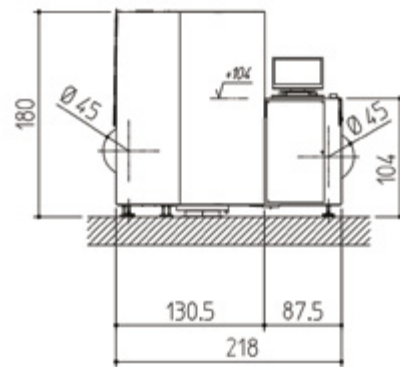
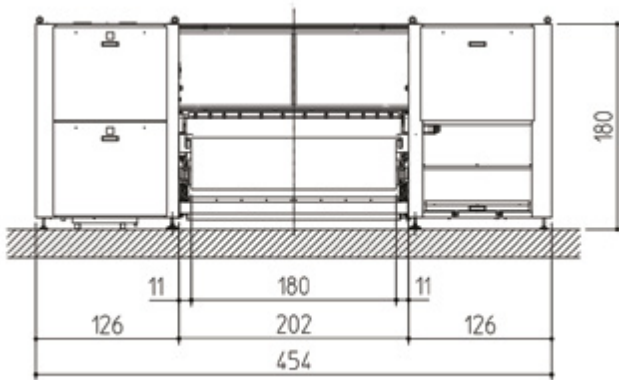
C M Y K
4+4 COLOURS
8 HEADS



C M Y K
8 COLOURS
8 HEADS



Efi Reggiani NEXT Plus: regulatory model NEXT



NEXT Plus 180			
Resolution	PASS	LM/H	SQM/H
600 x 300	1	210	315
600 x 600	2	115	175
600 x 900	3	75	115
600 x 1200	4	50	75

NEXT Plus 340			
Resolution	PASS	LM/H	SQM/H
600 x 300	1	125	375
600 x 600	2	70	210
600 x 900	3	45	135
600 x 1200	4	35	105

Let's be brilliant. Together.

We understand you want breakthrough technologies to lead you through your digital journey. That's why we're passionate about driving your business growth with a scalable portfolio of products, solutions, services, support, and world-class partnerships for the manufacturing of signage, packaging, textiles, ceramic tiles, building materials, commercial print, and personalised documents with a wide range of printers, inks, digital front ends, and workflow software. Our unwavering commitment is to increase your profits, cut costs, improve productivity, and optimise efficiency — job after job, year after year. We're obsessed with your success. And we definitely believe we have the right people, technology and experience to help your business achieve its goals. Visit www.efi.com/reggiani or call +39 035 3844511 for more information.



Nothing herein should be construed as a warranty in addition to the express warranty statement provided with Efi products and services.

AutoCal, Best Eye, ColorGuard, ColorPASS, ColorRight, ColorWise, Command WorkStation, Cretachrom, Cretaprint, the Cretaprint logo, Cretaprinter, Cretaroller, Divisional Graphics, Distancing Graphics, DocBuilder, Dynamic Wedge, EDOX, Efi, the Efi logo, Electronics For Imaging, FabriVu, Fast-4, FASTRIP, FASTDRIVE, Fiery, the Fiery logo, Fiery Compose, Fiery Driven, the Fiery Driven logo, Fiery Edge, Fiery Essential, Fiery HyperRIP, Fiery Impose, Fiery Impress, Fiery ImageViewer, Fiery Intensify, Fiery JobExpert, Fiery JobFlow, Fiery JobMaster, Fiery Navigator, Fiery Prep-it, Fiery Prints, the Fiery Prints logo, Fiery TrueBrand, FreeForm, Inkintensity, Inkware, IQ, MicroPress, OneFlow, PressVu, PrintMe, the PrintMe logo, Prograph, ProGraphics, RIPchips, RIP-While-Print, SafeGuard Graphics, Spot-On, Spot Pro, UltraDrop, UltraPress, UltraTex, UltraVu, UV Series 50, VUTEK, the VUTEK logo, and WebTools are trademarks or registered trademarks of Electronics For Imaging, Inc. and/or its wholly owned subsidiaries in the U.S. and/or certain other countries.

All other terms and product names may be trademarks or registered trademarks of their respective owners and are hereby acknowledged.

© 2022 ELECTRONICS FOR IMAGING, INC. ALL RIGHTS RESERVED. | WWW.EFI.COM

AC_50_05_22_UK